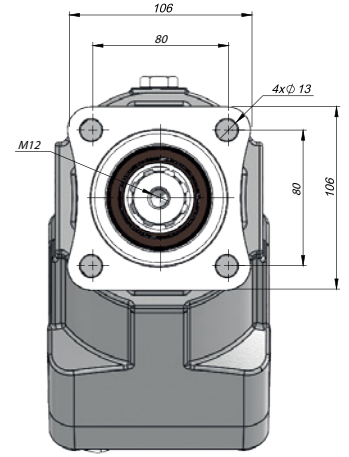
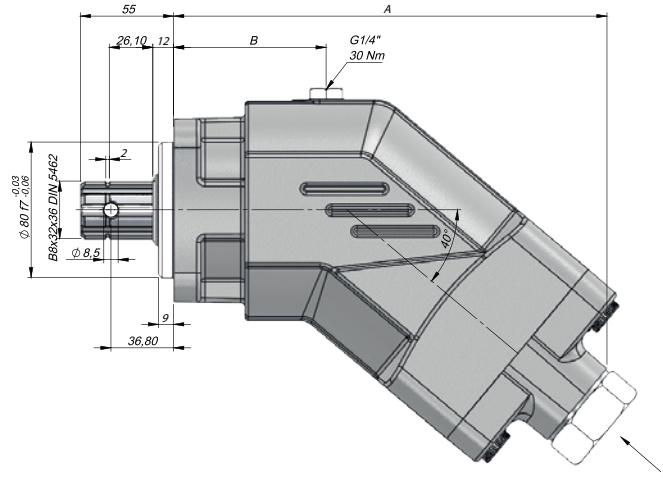
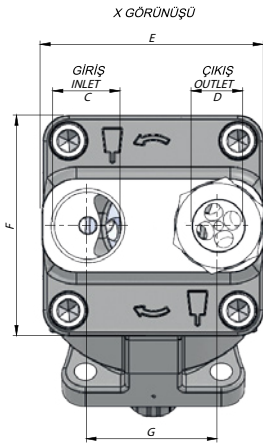


**TEKNİK VERİLER | TECHNICAL DATA**

**4 DELİKLİ ISO EKSENEL PİSTONLU POMPA | 4 HOLES ISO BENT AXIS PUMP**



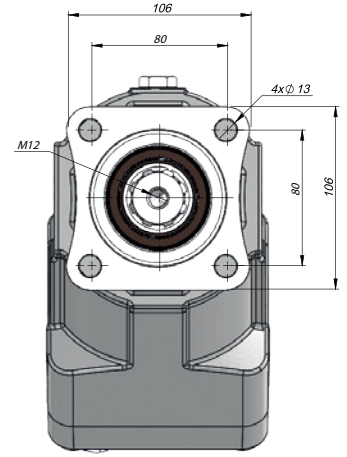
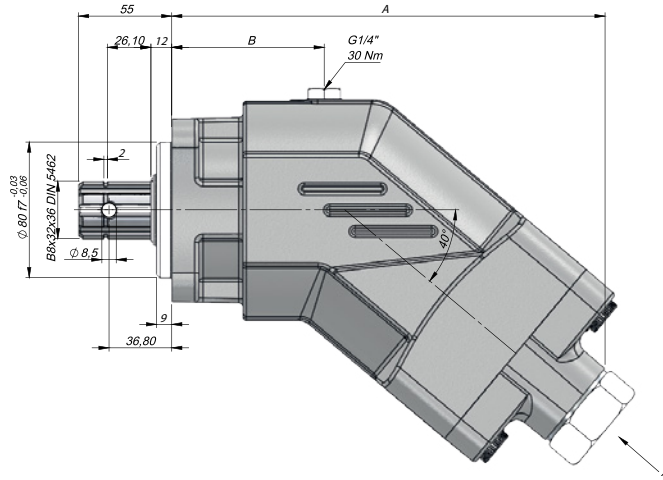
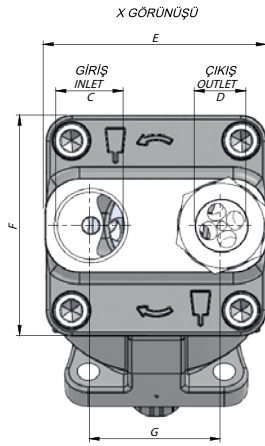
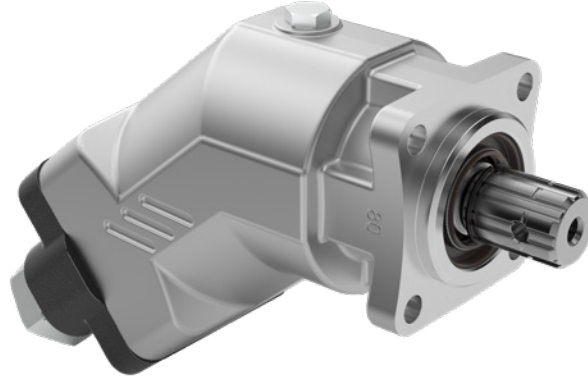
PISTON  
PUMP

**Tapaların Sıkma Torku**  
Tightening Torque Of The Plugs

G1/2"	55-65 Nm
G3/4"	90-100 Nm
G1"	135-160 Nm
G1 1/4"	200-230 Nm

Kod Code	İletim Hacmi Displacement (cm <sup>3</sup> /rev)	Maks.Sürekli Basınç Max.Continuous Pressure (100%)(BAR)	Min. Hız Min.Speed (RPM)	Maks. Hız Max. Speed (RPM)		A (mm)	B (mm)	C (inch)	D (inch)	E (mm)	F (mm)	G (mm)		
				(NOM)	(MAX.)									
AP022SF1(1)1 AP022SF1(2)1	22	350	400	3050	4300	180	58	G3/4"	G1/2"	89	89	52		
AP033SF1(1)1 AP033SF1(2)1	33			2750	3900									
AP045SF1(1)1 AP045SF1(2)1	45			2650	3800	210	78	G1"	G3/4"	108.7	108.7	59		
AP056SF1(1)1 AP056SF1(2)1	56			2550	3700					218	80	110.5	108	64
AP065SF1(1)1 AP065SF1(2)1	65			2200	3200	245	94	G1 1/4"	G1"	127	118	69		
AP080SF1(1)1 AP080SF1(2)1	80			2150	3100					255	131.6	130	77	
AP107SF1(1)1 AP107SF1(2)1	107			250	300	2000	2800	255	94	G1 1/4"	G1"	131.6	130	77
AP125SF1(1)1 AP125SF1(2)1	125					1750	2500							

\* (1) - Left - Sol  
(2) - Right - Sağ



PISTON  
PUMP

**Tapaların Sıkma Torku**  
Tightening Torque Of The Plugs

G1/2"	55-65 Nm
G3/4"	90-100 Nm
G1"	135-160 Nm
G1 1/4"	200-230 Nm

Kod Code	İletim Hacmi Displacement	Maks.Sürekli Basınç Max.Continuous Pressure	Min. Hız Min.Speed	Maks. Hız Max. Speed		A	B	C	D	E	F	G		
				(NOM)	(MAX.)									
	(cm <sup>3</sup> /rev)	(100%)(BAR)	(RPM)			(mm)	(mm)	(inch)	(inch)	(mm)	(mm)	(mm)		
APA022SF1(1)1 APA022SF1(2)1	22	350	400	3050	4300	180	58	G3/4"	G1/2"	89	89	52		
APA033SF1(1)1 APA033SF1(2)1	33			2750	3900									
APA045SF1(1)1 APA045SF1(2)1	45			2650	3800	210	78	G1"	G3/4"	108.7	108.7	59		
APA056SF1(1)1 APA056SF1(2)1	56			2550	3700	218	80			110.5	108	64		
APA065SF1(1)1 APA065SF1(2)1	65			2200	3200	245	94	G1 1/4"	G1"	127	118	69		
APA080SF1(1)1 APA080SF1(2)1	80			2150	3100									
APA107SF1(1)1 APA107SF1(2)1	107			2000	2800					255	131.6	130	77	
APA125SF1(1)1 APA125SF1(2)1	125			250	300	1750	2500							

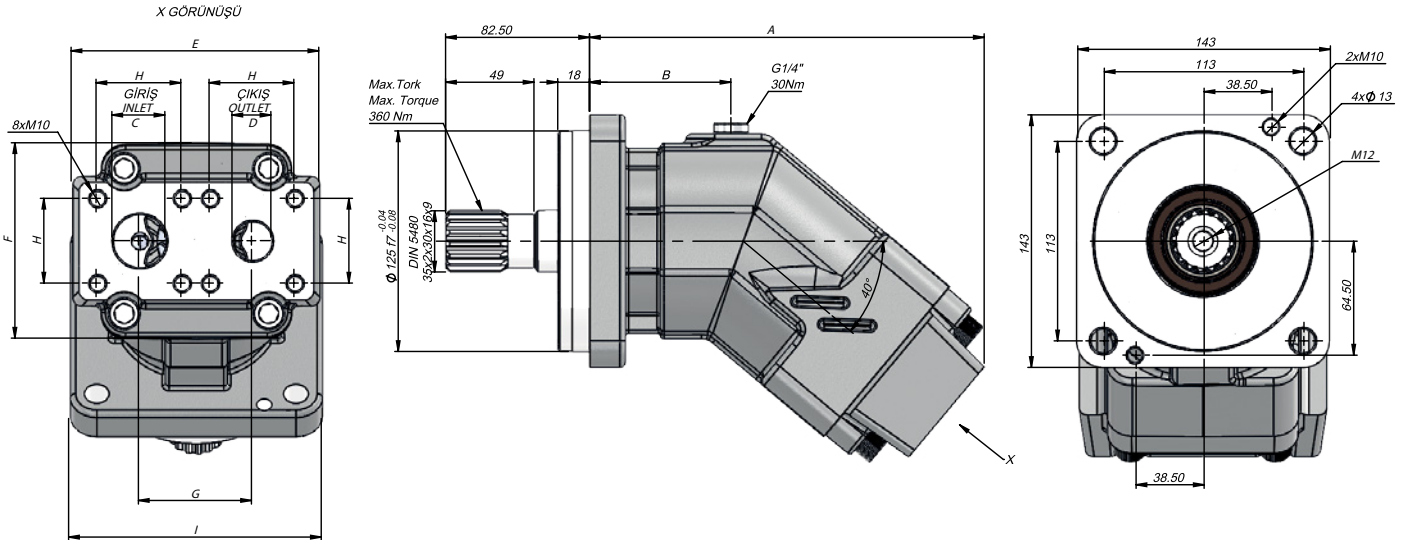
\* (1) - Left - Sol

(2) - Right - Sağ

200www.kazeloglu.com

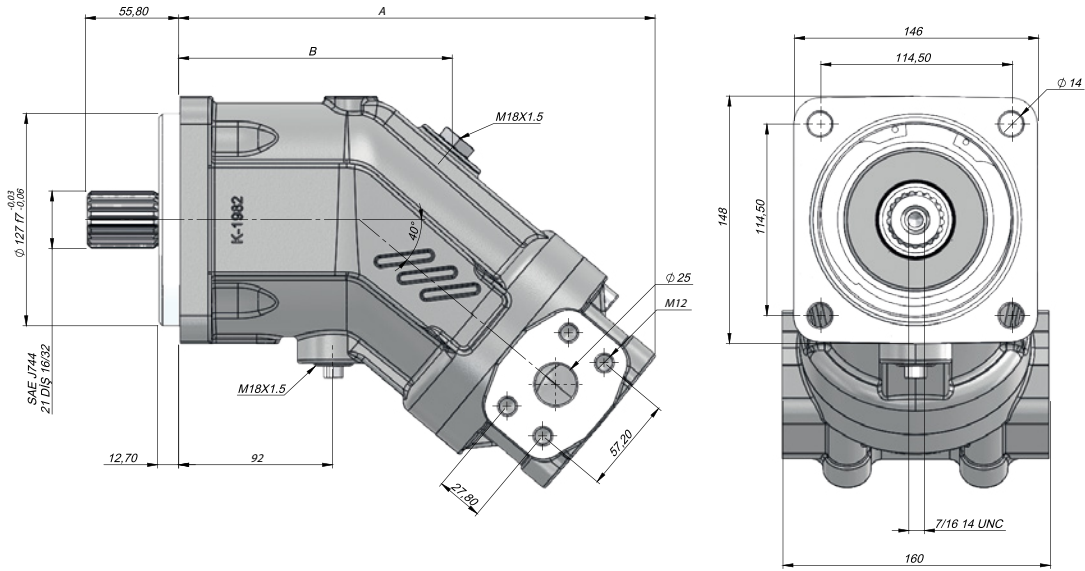
**TEKNİK VERİLER | TECHNICAL DATA**

4 DELİKLİ SAE C EKSENL PİSTONLU POMPA | 4 HOLES SAE C BENT AXIS PUMP



PISTON  
PUMP

Kod Code	İletim Hacmi Displacement	Maks.Sürekli Basınç Max.Continuous Pressure	Min. Hız Min.Speed	Maks. Hız Max. Speed		A	B	C	D	E	F	G	H	I
				(cm <sup>3</sup> /rev)	(100%)(BAR)									
AP056C2F911 AP056C2F921	56	350	400	1800	2500	233,50	80	30	22	140	108	38	48	143
AP063C2F911 AP063C2F921	63													



Kod Code	İletim Hacmi Displacement	Tork / Torque (NM)		Maks. Hiz Max. Speed (RPM)		A	B
		350(BAR)	400(BAR)	(NOM)	(MAX.)		
AM080C2SF2133	80	448	512	4500	5000	235.30	163.50
AM090C2SF2133	90	501	573				