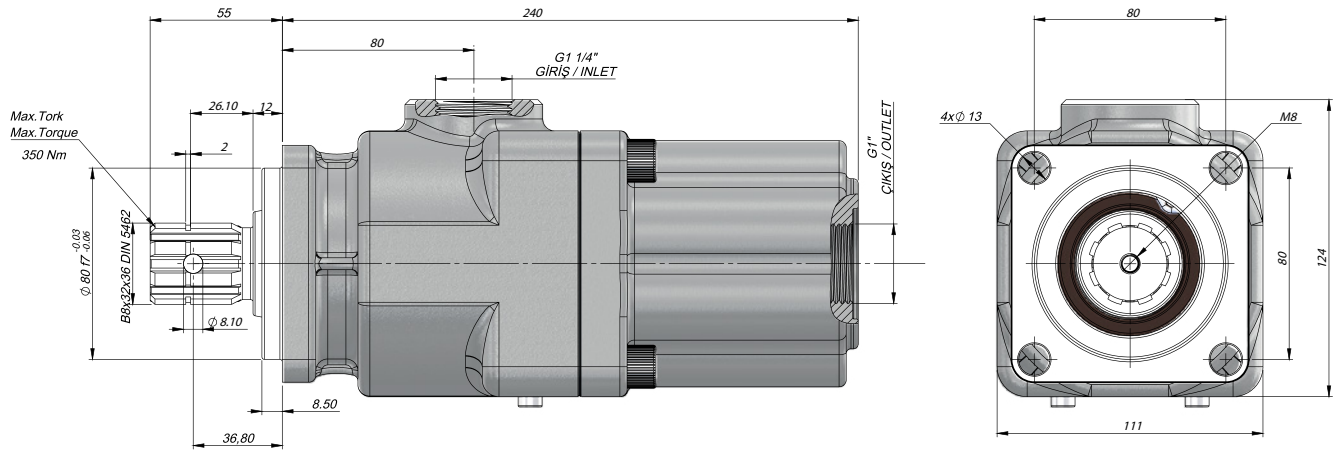




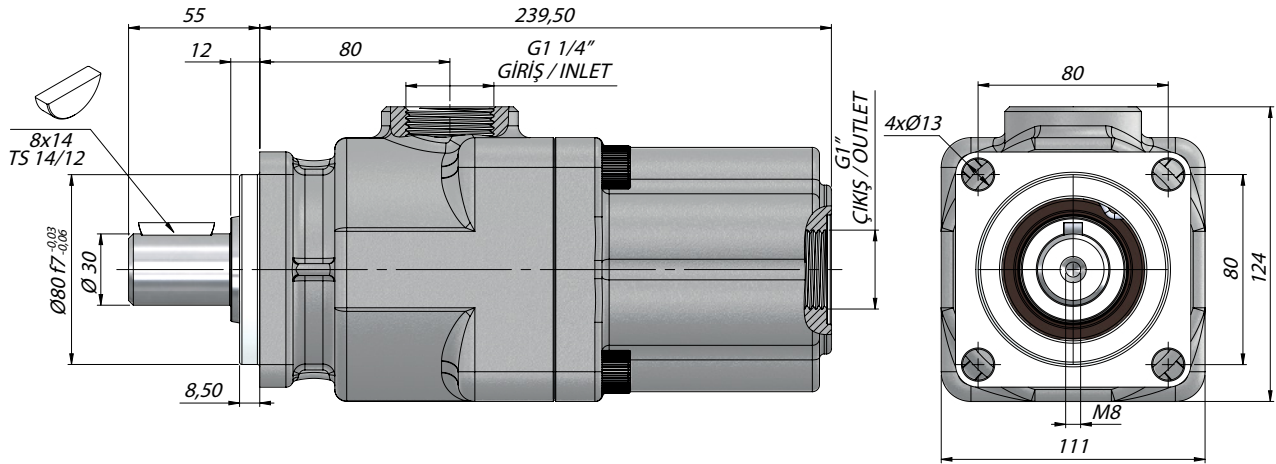
PISTON
PUMP



Kod Code	İletim Hacmi Displacement (cm ³ /rev)	Maks.Sürekli Basınç Max.Continuous Pressure (100%)(BAR)	Min. Hız Min.Speed (RPM)	Maks.Sürekli Hız Max.Continuous Speed (RPM)
P0820SF131	20	350	300	1800
P0826SF131	26			
P0834SF131	34			
P0842SF131	42			
P0846SF131	46			
P0852SF131	52			
P0855SF131	55	300	1500	
P0860SF131	60			

TEKNİK VERİLER | TECHNICAL DATA

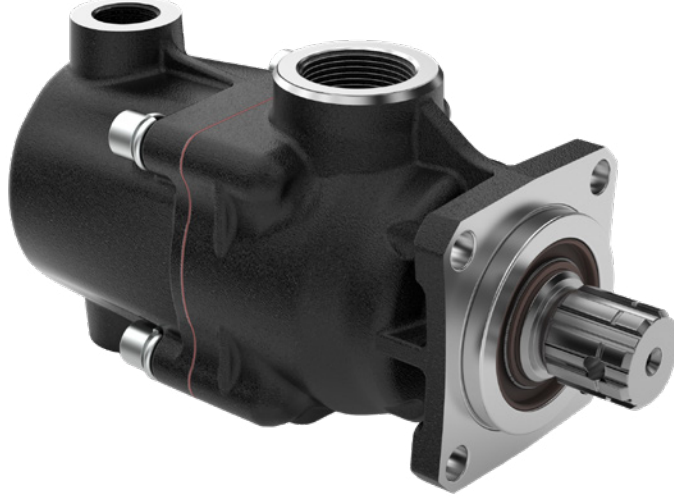
4 DELİKLİ ISO KAMALI PİSTONLU POMPA | 4 HOLES ISO PISTON PUMP WITH KEYS SHAFT



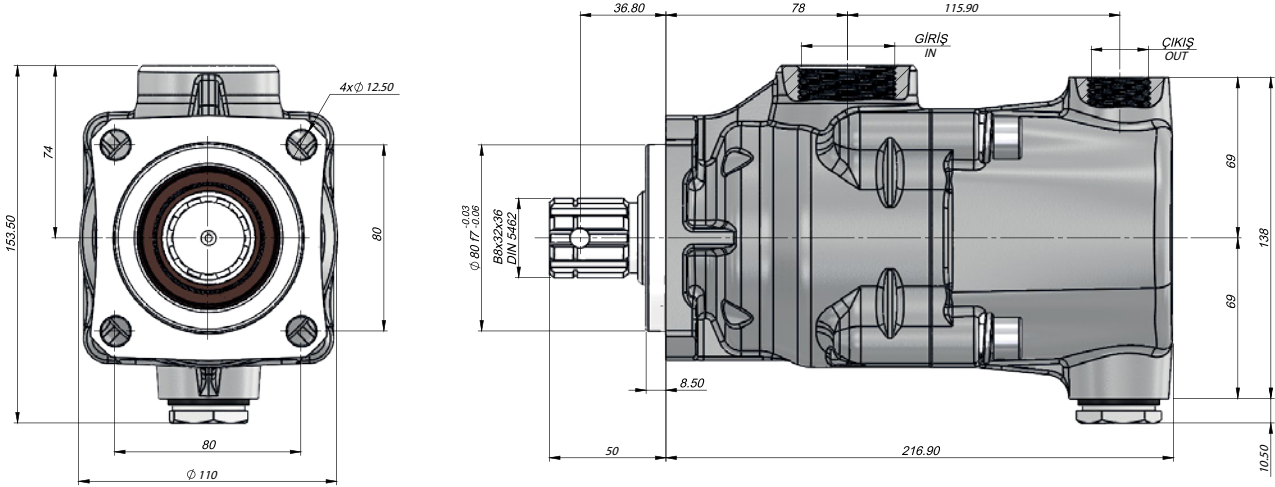
PISTON
PUMP

Kod Code	İletim Hacmi Displacement (cm ³ /rev)	Maks.Sürekli Basınç Max.Continuous Pressure (100%)(BAR)	Min. Hız Min.Speed (RPM)	Maks.Sürekli Hız Max.Continuous Speed (RPM)
P0820SK1531	20	350	300	1800
P0826SK1531	26			
P0834SK1531	34			
P0842SK1531	42			
P0846SK1531	46			
P0852SK1531	52			
P0855SK1531	55	300	1500	
P0860SK1531	60			

4 DELİKLİ ISO KISA VERSİYON PİSTONLU POMPA | 4 HOLES ISO SHORT VERSION PISTON PUMP



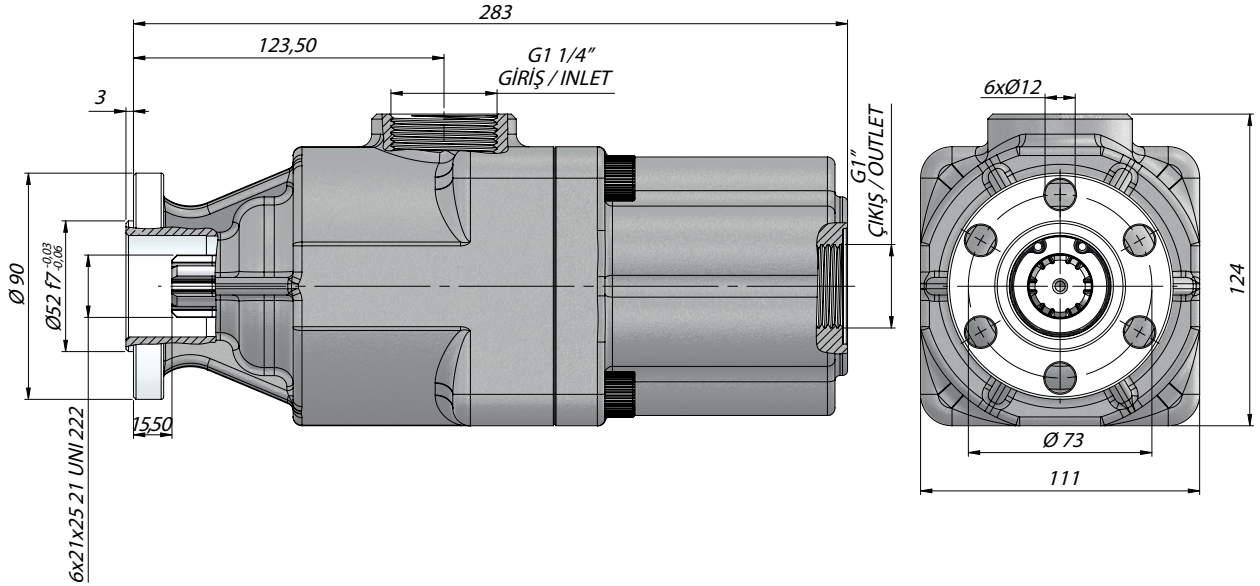
PISTON
PUMP



Kod Code	İletim Hacmi Displacement	Maks.Sürekli Basınç Max.Continuous Pressure	Min. Hız Min.Speed	Maks.Sürekli Hız Max.Continuous Speed	Giriş Inlet	Çıkış Outlet
	(cm ³ /rev)	(100%)(BAR)	(RPM)	(RPM)		
P0821SF131S	21	350	400	1800	G1 1/4"	G3/4"
P0828SF131S	28					
P0835SF131S	35					
P0842SF131S	42					
P0848SF131S	48					
P0852SF131S	52	300	350	1500		
P0855SF131S	55					
P0860SF131S	60					

TEKNİK VERİLER | TECHNICAL DATA

6 DELİKLİ UNI PİSTONLU POMPA | 6 HOLES UNI PISTON PUMP



PISTON
PUMP

Kod Code	İletim Hacmi Displacement	Maks.Sürekli Basınç Max.Continuous Pressure	Min. Hız Min.Speed	Maks.Sürekli Hız Max.Continuous Speed
	(cm ³ /rev)	(100%)(BAR)	(RPM)	(RPM)
P0820UF431	20	350	300	1800
P0826UF431	26			
P0834UF431	34			
P0842UF431	42			
P0846UF431	46			
P0852UF431	52			
P0855UF431	55	300	1500	
P0860UF431	60			