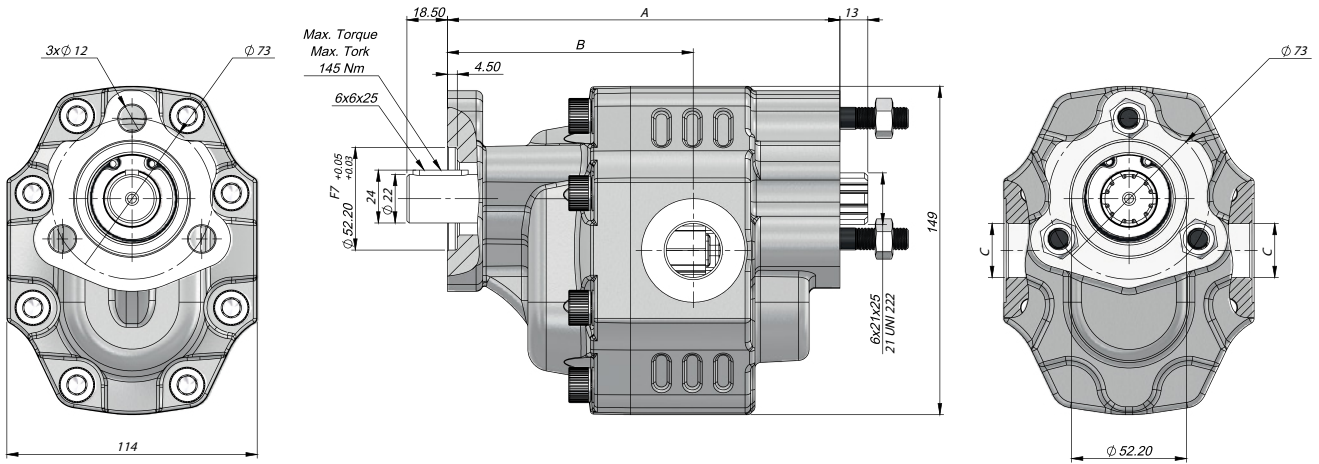


Giriş Basıncı   Inlet Pressure		0.3÷ 2 bar	
Çalışma Viskozite Seviyesi   Operating Viscosity Range		-12:100 cSt	
Sıvı Sıcaklığı   Fluid Temperature		-40 °C+145 °C	
Çalışma Basıncı   Working Pressure	Kirlilik   Contamination		Filtre   Filter
	NAS 1638	ISO 4406	$\beta_x=75$
≥200 bar	11	20/17	25 $\mu$ m
≤200 bar	12	21/18	40 $\mu$ m



Kod Code			İletim Hacmi Displacement	Maks.Sürekli Basınç Max.Continuous Pressure	Min. Hız Min.Speed	Maks.Sürekli Hız Max.Continuous Speed	A	B	Giriş Inlet	Çıkış Outlet
Sol / Left	Sağ / Right	BD	(cm <sup>3</sup> /rev)	(100%)(BAR)	(RPM)	(RPM)	(mm)	(mm)	C	D
GT30017FK411	GT30017FK421	GT30017FK431	17	300	300	2600	161	102	G1/2"	G1/2"
GT30027FK411	GT30027FK421	GT30027FK431	27	290			167	105		
GT30034FK411	GT30034FK421	GT30034FK431	34	285		2300	172	107	G3/4"	G3/4"
GT30036FK411	GT30036FK421	GT30036FK431	36				173,5	118,5		
GT30038FK411	GT30038FK421	GT30038FK431	38				174	118,5		
GT30043FK411	GT30043FK421	GT30043FK431	43				176	111,5		
GT30051FK411	GT30051FK421	GT30051FK431	51	230		2100	183	113	G1"	G1"
GT30061FK411	GT30061FK421	GT30061FK431	61	225			191	117		
GT30073FK411	GT30073FK421	GT30073FK431	73	215		1800	196	125	G1"	G1"
GT30082FK411	GT30082FK421	GT30082FK431	82	200			202	124,5		
GT30100FK411	GT30100FK421	GT30100FK431	100	190		1600	215	138,5	G1 1/4"	G1 1/4"
GT30125FK411	GT30125FK421	GT30125FK431	125	170			231	142,5		

\*The values in the table refer to unidirectional pumps. Reversible pump max pressures are 10% lower than those shown in table. For different working conditions please consult our sales department.